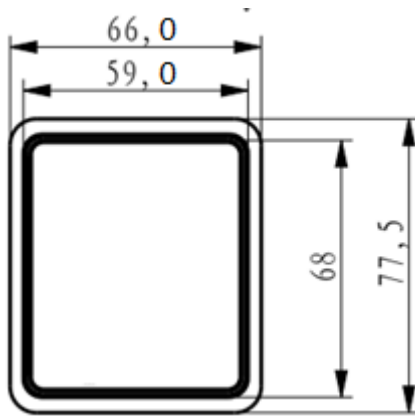


7160 外观尺寸及螺丝孔定位图

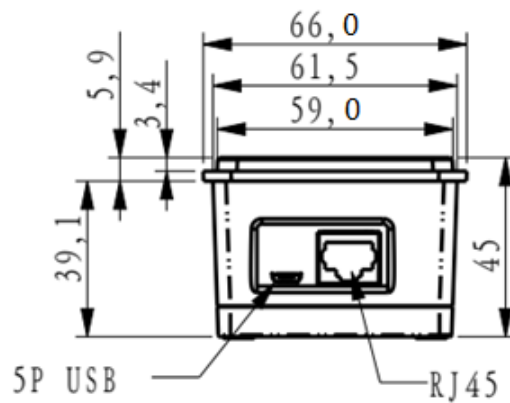
1、三维视图



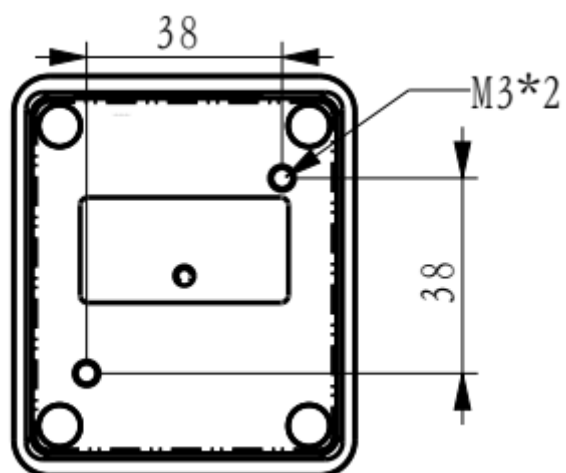
2、主视图 (单位: 毫米)



3、俯视图 ((背面) 单位: 毫米)



4、螺丝孔位视图（背面（单位：毫米））



7160 Datasheet

Physical Characteristics	
尺寸 Dimensions:	77. 5mm x 66mm x 45mm
重量 Weight:	75g
电压 Voltage:	5 VDC
电流 Current:	140mA
Performance Characteristics	
传感器像素 Image (Pixels):	640 pixels(H) x 480 pixel(V)
光源 Light Source:	Illumination: 6500K LED
视场角 Field of View:	80° (H) x 64° (V)
旋转倾斜偏移 Roll / Pitch / Yaw:	360°, ±65°, ±60°
打印对比度 Print Contrast:	20% minimum reflective difference
接口支持 Interfaces Supported:	USB , RS232
Symbology Decode Capability	
一维条码 1-D:	UPC, EAN, Code128, Code 39, Code 93, Code11, Matrix 2 of 5, Interleaved 2 of 5, Codabar, MSI Plessey, GS1 DataBar, China Postal, Korean Postal, etc.
二维条码 2-D:	PDF417, MicroPDF417, Data Matrix, Maxicode, QR Code, MicroQR, Aztec, Hanxin, etc.
User Environment	
工作温度 Operating Temperature:	0° to 50° C
存储温度 Storage Temperature:	- 40° to 70° C
湿度 Humidity:	0% to 95% relative humidity , non-condensing
跌落/碰撞测试 Drop/Shock Specifications:	Designed to withstand 1.5m(5') drops
环境光豁免 Ambient Light Immunity:	0~100,000 Lux.
Decode Ranges	
Symbol & Density	Range
5 mil (Code 39):	5mm - 15mm
13 mil (100%UPCA):	5mm - 85mm
1D Minimal Resolution (Code 39):	5mil
Performance may be impacted by bar code quality and environmental conditions	